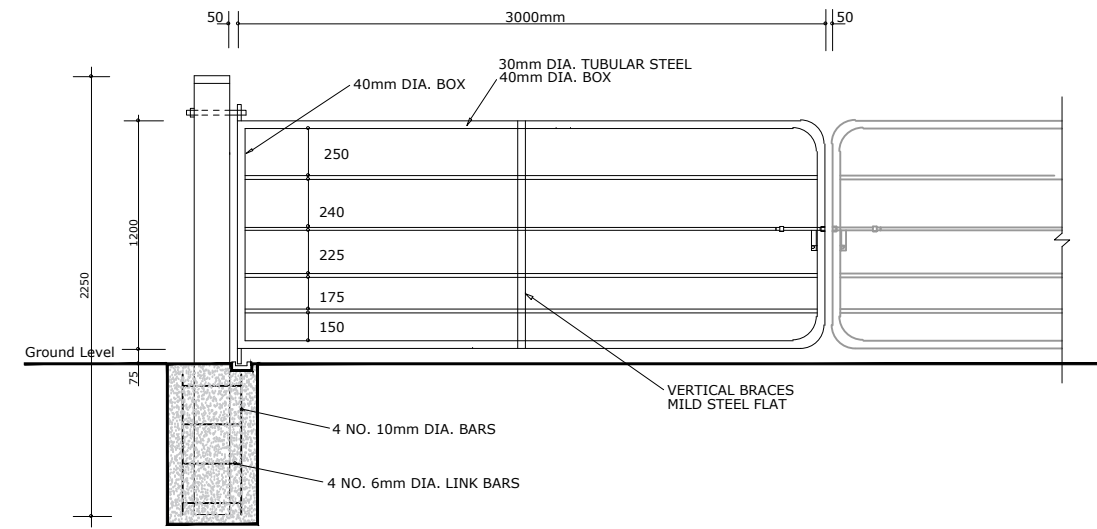


View A

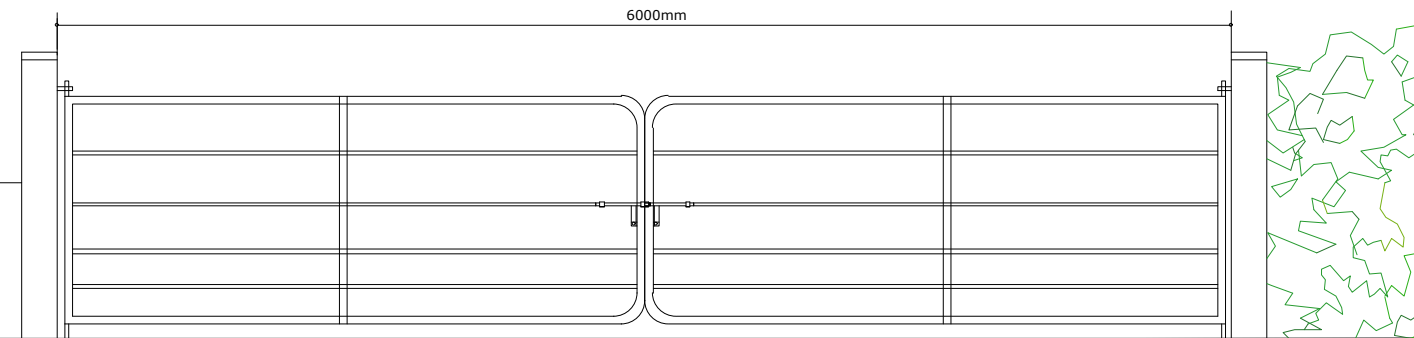
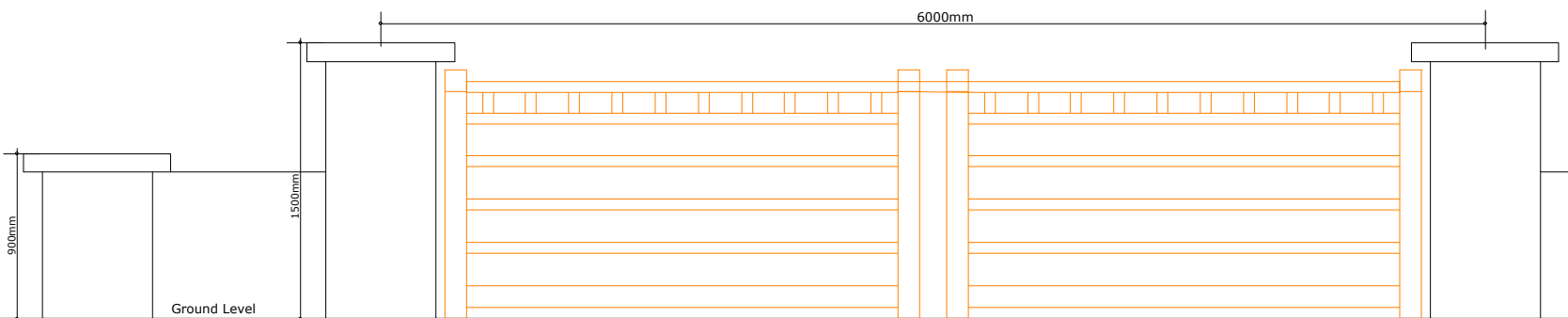
R576

Layout of Entrance Gateway
1:100

Existing Burial Ground



Details of Proposed Farm Gate
1:20



Elevation of Entrance Gateway (View A)
1:20

Legend:

Note:

Rev.	Date	By	Description

Project: Rockchapel Cemetery Extension			
Title: Entrance Layout & Details			
Designed: F.J.	Checked: MH	Scales: 1:100	Drawing No: MK-022-038-07
Drawn: D.L. & S.D.	Approved: MH	Date: May 22	
Surveyed: D.L.	Revision: A		



CORK COUNTY COUNCIL
Municipal District Operations &
Rural Development
Niall Healy
Director of Services,