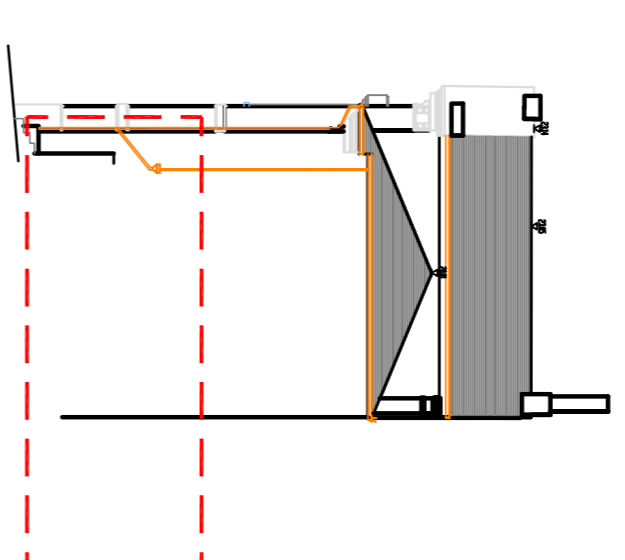
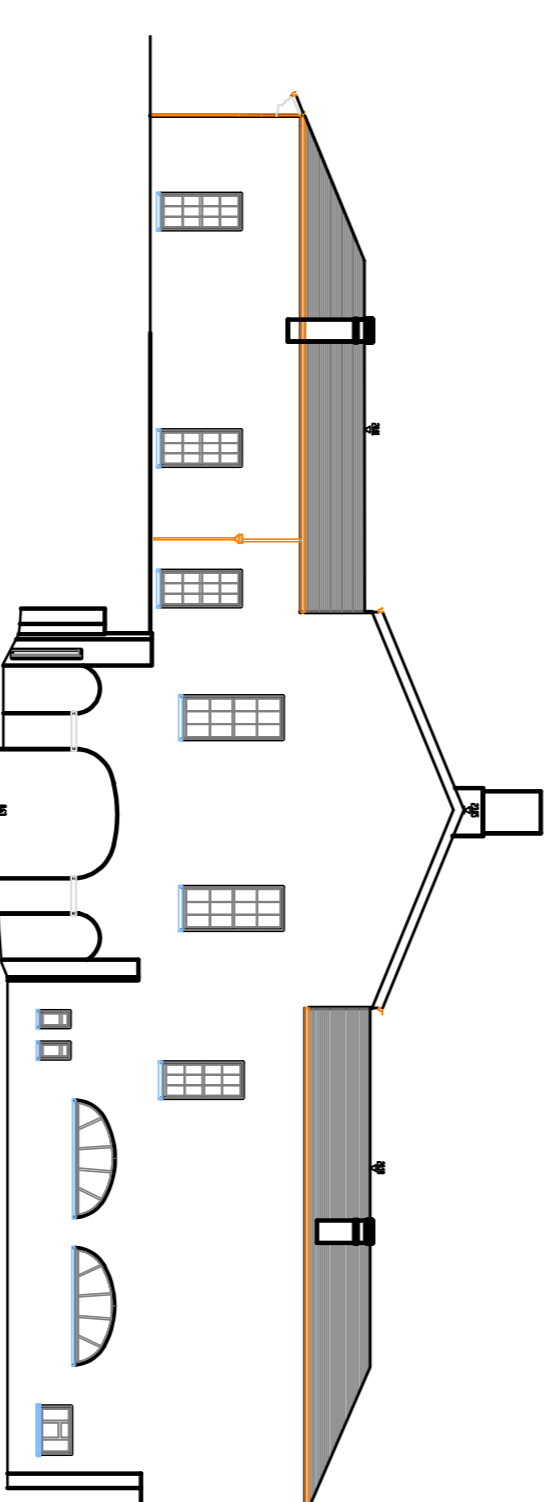


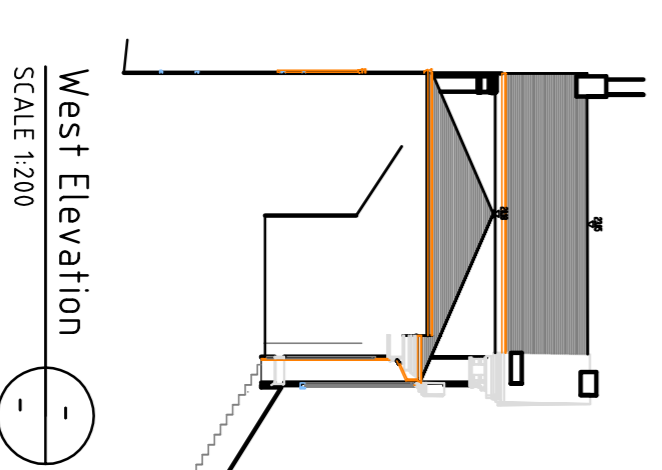
South Elevation
SCALE 1:200



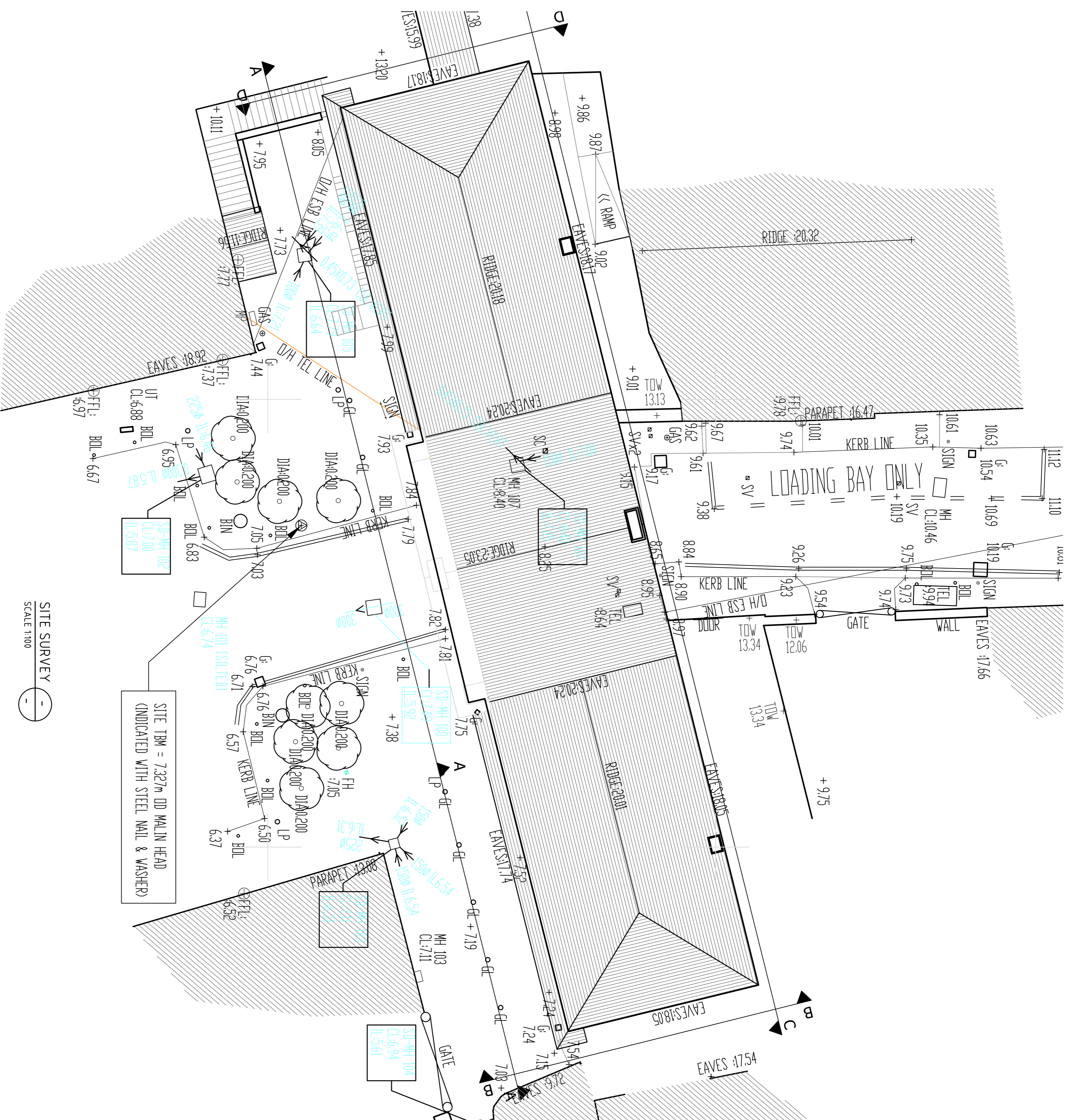
East Elevation
SCALE 1:200



North Elevation
SCALE 1:200



West Elevation
SCALE 1:200



SITE SURVEY
SCALE 1:100

LEGEND:
 LOCATION OF PROPOSED WORKS
 SHOWN OUTLINED IN RED

Rev	Date	Drawn Description

ika
CONSULTING ENGINEERS
 CIVIL | STRUCTURAL | PROJECT MANAGEMENT

2 Cloughreen Business Park,
 Blarney Road, Cork,
 Ireland.
 T: +353 (0)21 4399799
 F: +353 (0)21 4399797
 E: admin@ika.ie
 W: www.ika.ie

Client:
Cork County Council

Project:
Proposed E-Hub
 At Cogh Library, Cogh,
 Co. Cork

Drawing Title:		Status:		Rev:	
Existing & Proposed Elevations		Designed: BA	Drawn: TL	Date: Sept '23	
Eng. Ck: BA	Dwg. Ck: BA	Project No: 0573000	Scale: AS SHOWN @ A1		
Drawing No: 101					